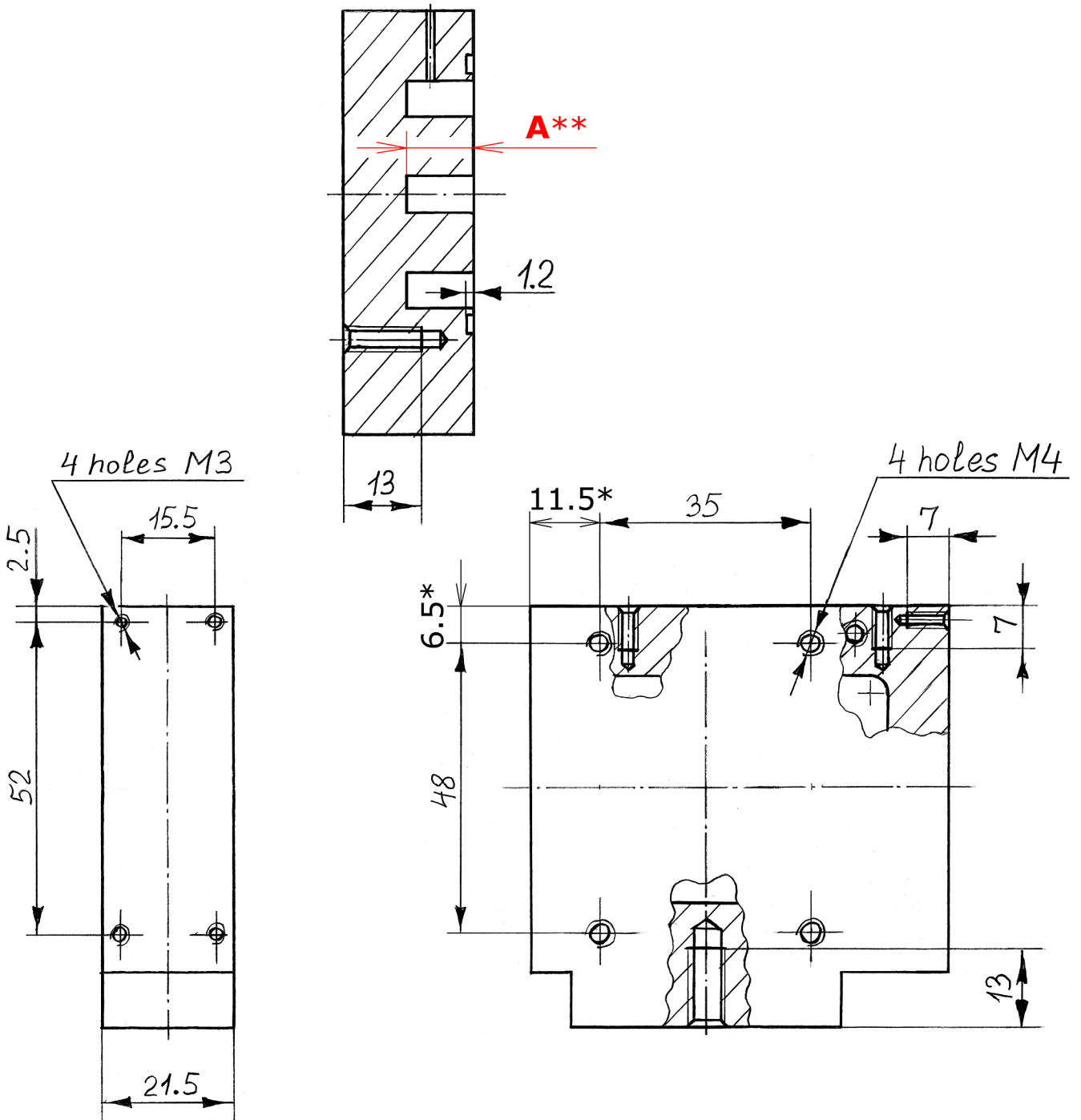


A-A



*Redundant dimensions (can be calculated from other dimensions), provided for convenience of machinist.

The dimension **A (depth of the cavity) is variable and is specified in the order. Please see the order sheet for the actual value of **A**.

Developed	Y.-S. Kim, V. Makarov 2008-03-29 <i>[Signature]</i>	SPD Body v. 3	
Clarified	V. Makarov 2008-04-15	Material Duraluminum or similar aluminum alloy	Scale 1:1
Modified	V. Makarov 2008-04-15		
Modified	V. Makarov 2008-05-01		